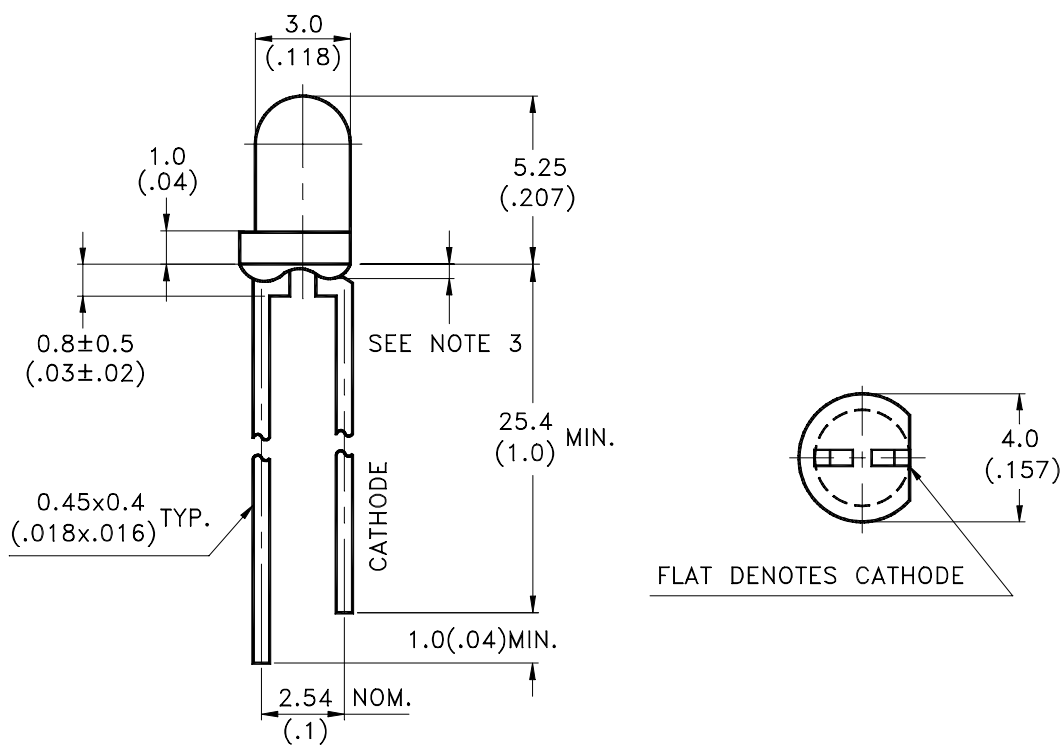


## Features

- \* Integral current limiting resistor LED.
- \* Chip resistor built in, required with 5 volts supply.
- \* Cost effective (save external resistor space and cost)

## Package Dimensions



Part No.	Lens	Source Color
LTL-4201T-R1	Red Diffused	Red

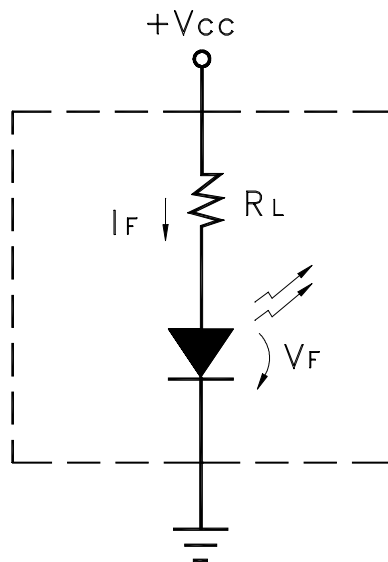
### Notes:

1. All dimensions are in millimeters (inches).
2. Tolerance is  $\pm 0.25\text{mm}(.010\text{'})$  unless otherwise noted.
3. Protruded resin under flange is 1.0mm(.04") max.
4. Lead spacing is measured where the leads emerge from the package.
5. Specifications are subject to change without notice.

### Absolute Maximum Ratings at TA=25°C

Parameter	Maximum Rating	Unit
DC Forward Voltage (TA=25°C)	7.5	V
Derating Linear From 50°C	0.071	V/°C
Reverse Voltage	5	V
Operating Temperature Range	-40°C to + 85°C	
Storage Temperature Range	-55°C to + 100°C	
Lead Soldering Temperature [1.6mm(.063") From Body]	260°C for 5 Seconds	

### Equivalent circuit:



$V_{CC} = 5 \text{ Volts}$   
 $(R_L = 240 \text{ ohms} \pm 20\%)$

$$I_F = \frac{V_{CC} - V_F}{R_L}$$

**Electrical / Optical Characteristics at TA=25°C**

Parameter	Symbol	Min.	Typ.	Max.	Unit	Test Condition
Luminous Intensity	$I_v$	0.5	1.7		mcd	V <sub>CC</sub> = 5V Note 1,4
Viewing Angle	$2\theta_{1/2}$		40		deg	Note 2 (Fig.5)
Peak Emission Wavelength	$\lambda_p$		655		nm	Measurement @Peak (Fig.1)
Dominant Wavelength	$\lambda_d$		651		nm	Note 3
Spectral Line Half-Width	$\Delta\lambda$		24		nm	
Forward Current	$I_F$	8	12	16	mA	V <sub>CC</sub> = 5V
Reverse Current	$I_R$			100	$\mu A$	V <sub>R</sub> = 5V

- Note: 1. Luminous intensity is measured with a light sensor and filter combination that approximates the CIE (Commission International De L'Eclairage) eye-response curve.
2.  $\theta_{1/2}$  is the off-axis angle at which the luminous intensity is half the axial luminous intensity.
3. The dominant wavelength,  $\lambda_d$  is derived from the CIE chromaticity diagram and represents the single wavelength which defines the color of the device.
4. The  $I_v$  guarantee should be added  $\pm 15\%$ .

## Typical Electrical / Optical Characteristics Curves

(25°C Ambient Temperature Unless Otherwise Noted)

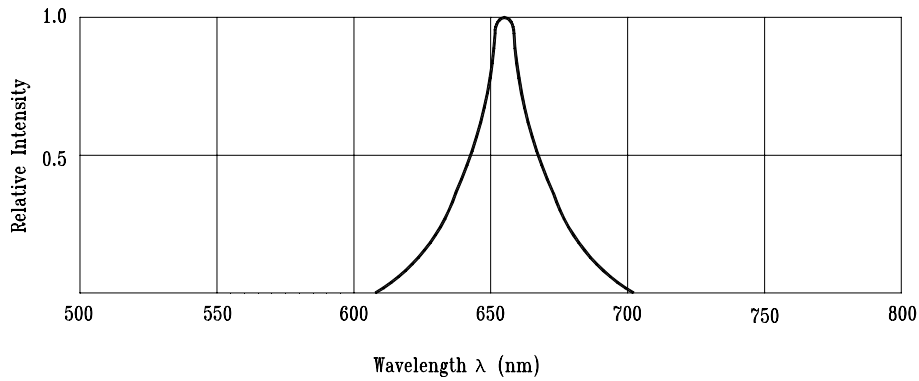


Fig.1 Relative Intensity vs. Wavelength

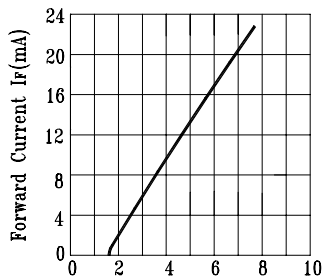


Fig.2 Forward Current vs. Applied Forward Voltage

5 Volts Devices

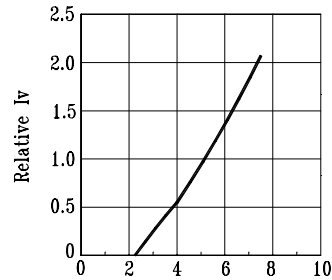


Fig.3 Relative Luminous Intensity vs. Applied Forward Voltage

5 Volts Devices

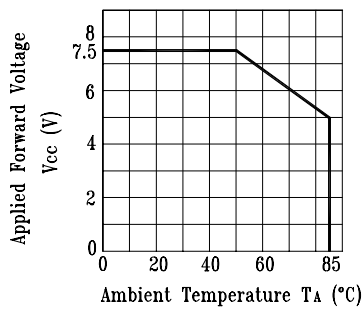


Fig.4. Maximum Allowed Applied Forward Voltage vs. Ambient Temperature

5 Volts Devices

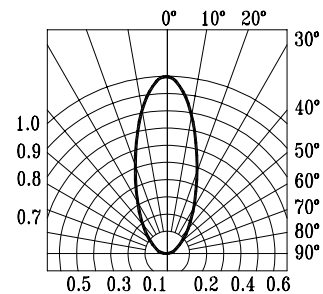


Fig.5 Spatial Distribution